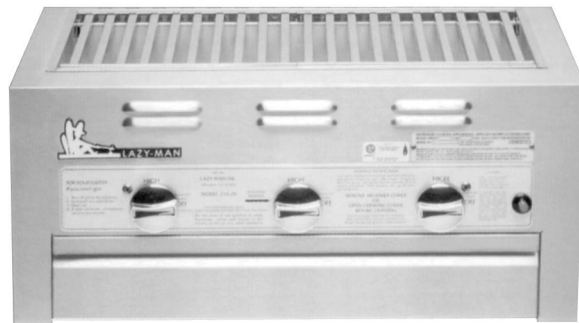


# Model LM-210-28

## Parts List & Installation Instructions



# LAZY MAN, INC.

P. O.Box 327, 616 Hardwick St. • Belvidere, NJ 07823

**800-475-1950** • 908-475-5315 • Fax: 908-475-3165

[www.LazyMan.com](http://www.LazyMan.com) • e-mail: [sales@lazyman.com](mailto:sales@lazyman.com)

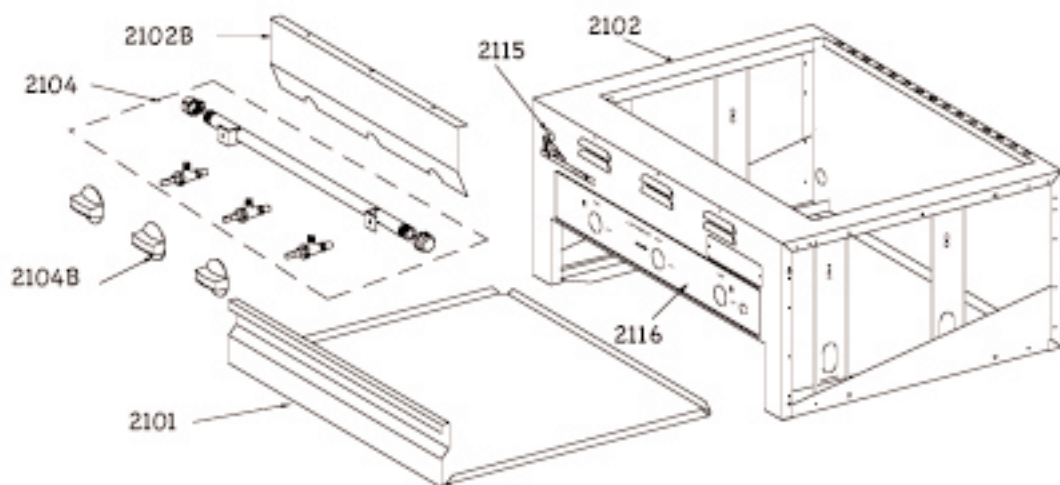
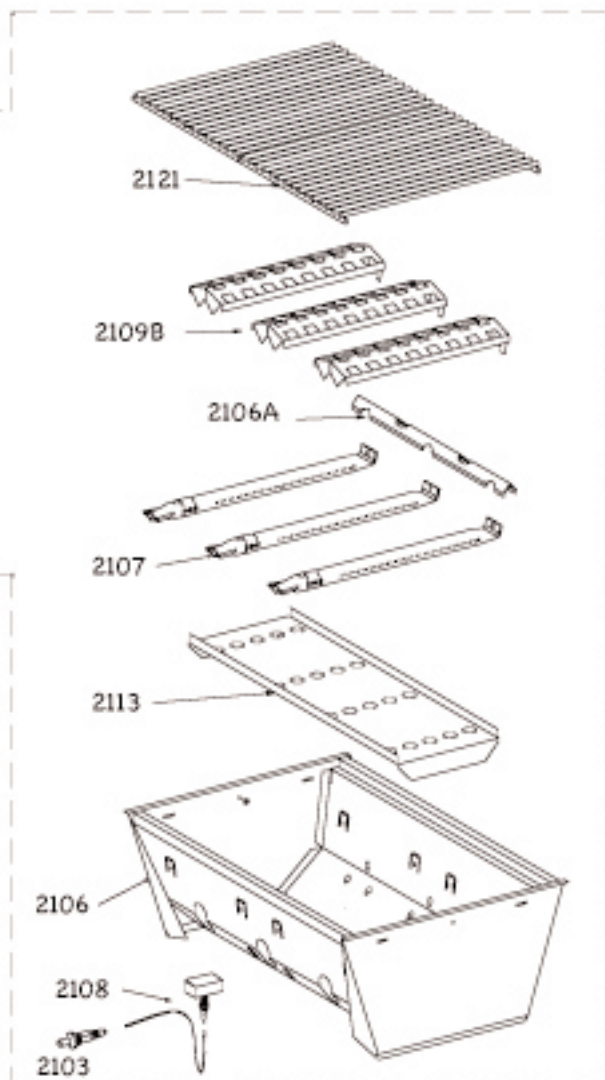
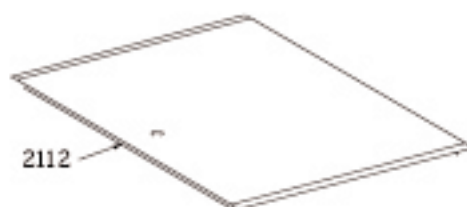
# 210-28 MASTERPIECE

## PART LIST

2112 STAINLESS STEEL WEATHER COVER

2117 MASTERPIECE STAINLESS STEEL RENEWAL KIT FOR LM210-28 INCLUDES:  
 2121 PREMIUM 210 SS ROD COOKING GRATES (2)  
 2109B STAINLESS STEEL BROILRITE FLAVOR ENHANCERS (3)  
 2106A STAINLESS STEEL FLASH BAR UPGRADE  
 2107 STAINLESS STEEL BURNERS (3)  
 2113 STAINLESS STEEL BAFFLE  
 2106 STAINLESS STEEL INSERT  
 2103 SPARK IGNITER WITH LEAD  
 2108 COLLECTOR BOX & ELECTRODE

2102B STAINLESS STEEL HEAT SHIELD  
 2104 GAS SUPPLY MANIFOLD WITH 3 VALVES, ELBOW & CAP  
 2104B CONTROL KNOBS  
 2101 STAINLESS STEEL DRIP PAN COLLECTOR  
 2102 STAINLESS STEEL CHASSIS  
 2115 LAZY MAN LOGO  
 2116 FRONT LABEL



# Installation Instructions

The **LAZY MAN Model LM 210-28** is designed to be installed outdoors in a **non-flammable** type material such as masonry, brick or steel. Our Stainless Steel Insulation Kit **must be used for any wood installation.**

- **MINIMUM CLEARANCE TO COMBUSTIBLE SURFACES:** 12" in all directions - No overhead obstructions or structures. Clearances apply to all Mobile units as well.
- **ROUGH IN DIMENSIONS:** 12" High; 40 1/4" Left to Right; 21" Front to Back. Dimensions as stated are "rough-ins". It is always advised to take finished dimensions from unit.
- **GAS CONNECTION:** Manifold is terminated with 1/2" F Elbow. Copper tubing or black pipe must be used to supply gas from source. 1" Diameter holes are located in chassis for gas supply line. Mobile gas supply is located at left rear.
- **FOR USE WITH PROPANE GAS:** This unit will only operate on low pressure. A Low Pressure regulator must be used in system using propane gas. (Low Pressure Regulator is included with Mobile units.)
- **REMEMBER!** Any gas connection should be made by a **QUALIFIED GAS SERVICE TECHNICIAN!** Before lighting, all connections must be tested for leaks with a soap solution. If bubbles occur, retighten fittings and recheck.
- **NEVER** attempt to light the barbecue with the weather cover in place or during use.  
**NEVER** attempt to light the barbecue with Cooking Hood in closed position.

# Cleaning Instructions

The **Model LM 210-28** is manufactured of the finest materials available. All stainless steel parts are made of Type 304 stainless. **YOU MUST REMEMBER** - open flame cooking causes a great deal of splatter and this splatter will bake on surfaces as the heat from cooking spreads to all surfaces. Unlike oven or top burner cooking, the meat is not in an object such as a pot or pan and grease laden smoke will reach all surfaces, inside and out. Thus more cleaning will be necessary to keep the stainless as bright as when new. Stainless Steel resists the effects of use and weather despite surface appearance and will give years of service.

The Stainless Steel grates can be brushed with a good quality brass bristle grill brush, placed in the dish washer or self cleaning oven. Grates will discolor with use and this is normal.

All Stainless Steel surfaces can be cleaned with cleanser, non-abrasive scouring pads, oven cleaner or special stainless steel cleaner available in hardware stores.



# LAZY MAN, INC.

P. O.Box 327, 616 Hardwick St. • Belvidere, NJ 07823

**800-475-1950 • 908-475-5315 • Fax: 908-475-3165**

**[www.LazyMan.com](http://www.LazyMan.com) • e-mail: [sales@lazyman.com](mailto:sales@lazyman.com)**

# Accessories & Options of Masterpiece Series

<u>ITEM #</u>	<u>DESCRIPTION</u>
AC-BIDI	Stainless Steel Built-In 2 Doors Insert, 20" H x 28" W, O.D.
AC-115V	115 Volt Rotisserie Motor
AC-6H	6' UL listed, Hose with fittings
AC-6QD	6' Quick Disconnect Hose for Natural Gas
AC-12H	12' UL Listed Hose with Fittings
AC-12QD	12' Quick Disconnect Hose for Natural Gas
AC-2028	Heavy Duty Vinyl Cover for LM210-28M
AC-2028/20	Heavy Duty Vinyl Cover for LM210-28/20M
AC-2028/30	Heavy Duty Vinyl Cover for LM210-28/30M
AC-2040	Heavy Duty Vinyl Cover for LM210-40M
AC-2040/20	Heavy Duty Vinyl Cover for LM210-40/20M
AC-2040/30	Heavy Duty Vinyl Cover for LM210-40/30M
AC-2040/30/28	Heavy Duty Vinyl Cover for LM210-40/30/28M
AC-21028BI	Vinyl Rolltop Cover for Built-In LM210-28
AC-21040BI	Vinyl Rolltop Cover for Built-In LM210-40
AC-JACKET/30	HD Vinyl Jacket for 30# LP Cylinder
AC-SSCH28BI	Vinyl SS Class Cover for Built-In LM210-28
AC-SSCH40BI	Vinyl SS Class Cover for Built-In LM210-40
MB/LEG	Patio Stainless Steel Legs (2) Kit & Hardware
MBLC-28	Stainless Steel Mobile Cart for LM210-28
MBLC-40	Stainless Steel Mobile Cart for LM210-40
SSCC/210-28	Rolltop Stainless Steel Cooking Hood for LM210-28
SSCC/210-28R	Rolltop 115 Volt Rotisserie Assembly for LM210-28
SSCC/210-40	Rolltop Stainless Steel Cooking Hood for LM210-40
SSCC/210-40R	Rolltop 115 Volt Rotisserie Assembly for LM210-40
SSCH28	SS Class Cooking Hood for LM210-28 Mobile
SSCH28R	SS Class Rotisserie & 115 V Motor Assembly
SSCH40	SS Class Cooking Hood for LM210-40 Mobile
SSCH40R	SS Class Rotisserie & 115 V Motor Assembly
210-28/AROV	Free Standing 115V Rotisserie for LM210-28 only
210-40/AROV	Free Standing 115V Rotisserie for LM210-40 only
TR210	Stainless Steel Toasting/Step-Up Rack for LM210
MB/SS	Mobile Base Stainless Steel Shelf
SS-210	Stainless Steel Sides (set of 2)
SSIK-28	Stainless Steel Insulation Kit for LM210-28 Built-In
SSIK-40	Stainless Steel Insulation Kit for LM210-40 Built-In
SSIK-20	Stainless Steel Insulation Kit for LM210-20 Built-In
SSIK-30	Stainless Steel Insulation Kit for LM210-30 Built-In
SSS-2	Spacer, for side-by-side installations
SS/SP/210	Stainless Steel Spatula

**HOW TO ORDER:** If your Dealer does not stock parts and accessories, you may order direct from us. Include a check with order (NJ Residents add sales tax), Model and Part #. We pay UPS Ground shipping of prepaid orders. We also accept American Express, Discover, MasterCard and Visa. Credit card orders incur a 7% shipping and handling fee. Order online at [www.LazyMan.com](http://www.LazyMan.com).

Please refer to [LazyMan.com](http://LazyMan.com) for current specifications and prices



# LAZY MAN, INC.

P. O.Box 327, 616 Hardwick St. • Belvidere, NJ 07823

**800-475-1950 • 908-475-5315 • Fax: 908-475-3165**

[www.LazyMan.com](http://www.LazyMan.com) • e-mail: [sales@lazyman.com](mailto:sales@lazyman.com)